



Modular Cooking Range Line thermaline 80 - Full Module Electric Fry Top with Mixed Plate, 1 Side

ITEM # _____

MODEL # _____

NAME # _____

SIS # _____

AIA # _____



588409 (MAHOAAHOAO) Electric fry top with smooth and ribbed chrome plate, one-side operated

Short Form Specification

Item No.

Unit constructed according to DIN 18860_2 with 20 mm drop nose top. Internal frame for heavy duty sturdiness in 2 mm and 3 mm in 1.4301 (AISI 304). 2 mm top in 1.4301 (AISI 304). Flat surface construction, easily cleanable. THERMODUL connection system enables seamless worktop when units are connected and avoids soil penetrating. Chromium-plated mild steel cooking surface with non-stick finishing for optimal grilling. Powerblock heating system for optimal temperature distribution. Large drain hole allows draining of cooking juices into a large collector. Overheat protection switches off the supply in case of overheating. Standby function saves energy and quickly recovers maximum power. Metal knobs with embedded hygienic silicon "soft" grip enable easier handling and cleaning. IPX5 water resistant certification.
Configuration: One-side operated top. The base needs to be supplied by the factory. Please include appropriate base.

Main Features

- Choice of one or two heating zones. An indicator lamp shows operating state of each zone.
- Large drain hole on cooking surface permits the draining of residual cooking juices into a large collector placed under the cooking surface.
- Overheat protection: a temperature sensor switches off the supply in case of overheating.
- Stainless steel high splash guards on the rear and sides of cooking surface.
- Units have separate controls for each half module of the cooking surface.
- All major components may be easily accessed from the front.
- THERMODUL connection system creates a seamless work top when units are connected to each other thus avoiding soil penetrating vital components and facilitating the removal of units in case of replacement or service.
- Metal knobs with embedded hygienic silicon "soft" grip for easier handling and cleaning. The special design of the controls prevent infiltration of liquids or soil into vital components.
- Large visible digital display manufactured in tempered glass to resist heat and chemicals, showing temperatures or power settings. The display also shows on/off status of the appliance and on/off status of the heating elements.
- Powerblock heating system for optimal temperature distribution.

Construction

- 2 mm top in 1.4301 (AISI 304).
- Flat surface construction with minimal hidden areas to easily clean all surfaces
- Internal frame for heavy duty sturdiness in 2 mm and 3 mm in 1.4301 (AISI 304).
- Cooking surface in chromium-plated mild steel with non-stick finishing for optimum grilling results.
- Unit constructed according to DIN 18860_2 with 20 mm drop nose top.
- IPX5 water resistance certification.
- Cooking surface to be 2/3 smooth and 1/3 ribbed.
- Unit constructed according to DIN 18860_2 with 20 mm drop nose top and 70 mm recessed plinth.

Sustainability

- Standby function for energy saving and fast recovery of maximum power.



APPROVAL: _____



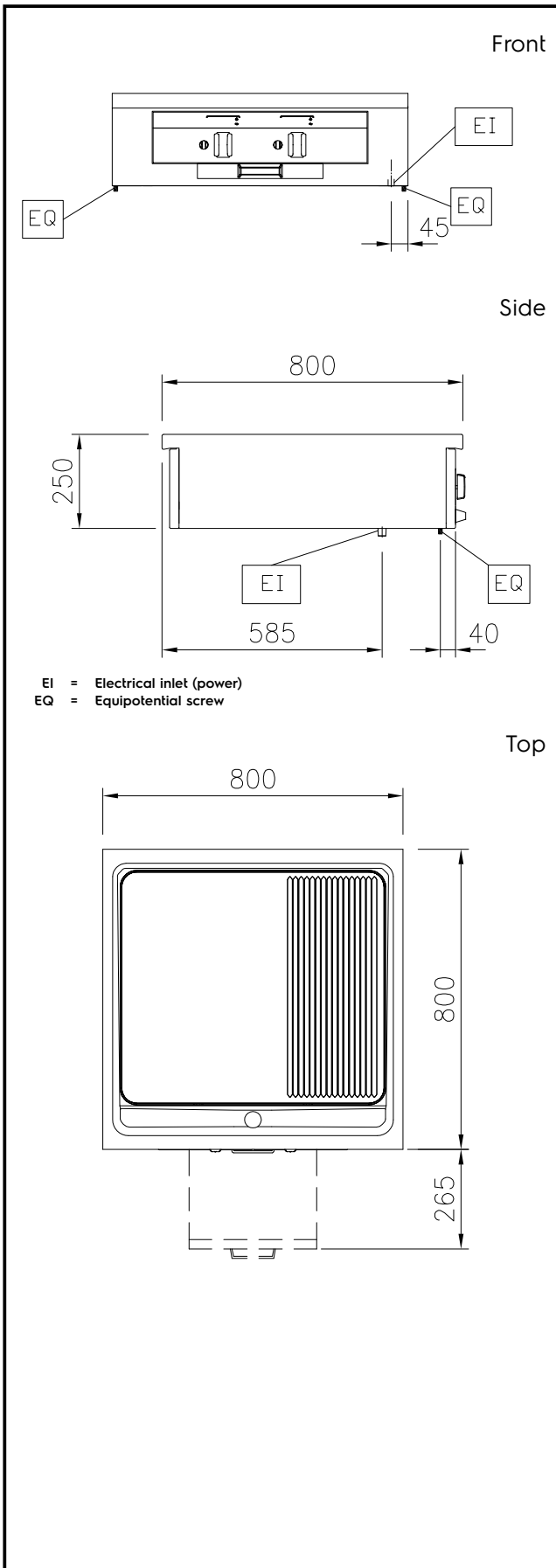
Experience the Excellence
www.electroluxprofessional.com

Optional Accessories

- Connecting rail kit, 800mm PNC 912500
- Portioning shelf, 800mm width PNC 912526
- Portioning shelf, 800mm width PNC 912556
- Folding shelf, 300x800mm PNC 912577
- Folding shelf, 400x800mm PNC 912578
- Fixed side shelf, 200x800mm PNC 912583
- Fixed side shelf, 300x800mm PNC 912584
- Fixed side shelf, 400x800mm PNC 912585
- Connecting rail kit, right PNC 912971
- Connecting rail kit, left PNC 912972
- Endrail kit, flush-fitting, left PNC 913109
- Endrail kit, flush-fitting, right PNC 913110
- Scraper for smooth plates PNC 913119
- Scraper for ribbed plates PNC 913120
- Endrail kit (12mm) for thermaline 80 units, left PNC 913200
- Endrail kit (12mm) for thermaline 80 units, right PNC 913201
- T-connection rail for back to back installations without backsplash PNC 913227
- - NOT TRANSLATED - PNC 913230
- - NOT TRANSLATED - PNC 913246
- - NOT TRANSLATED - PNC 913249
- - NOT TRANSLATED - PNC 913250
- - NOT TRANSLATED - PNC 913253
- - NOT TRANSLATED - PNC 913254
- - NOT TRANSLATED - PNC 913665
- - NOT TRANSLATED - PNC 913676

Recommended Detergents

- *NOT TRANSLATED* PNC 0S2292



Electric

Supply voltage:	400 V/3N ph/50/60 Hz
Total Watts:	15.3 kW

Key Information:

Cooking Surface Depth:	700 mm
Cooking Surface Width:	615 mm
Working Temperature MIN:	80 °C
Working Temperature MAX:	280 °C
External dimensions, Width:	800 mm
External dimensions, Depth:	800 mm
External dimensions, Height:	250 mm
Net weight:	120 kg
Configuration:	One-Side Operated; Top
Cooking surface type:	2/3 smooth + 1/3 ribbed Chromium Plated mild steel mirror
Cooking surface - material:	Chromium Plated mild steel mirror

Sustainability

Current consumption:	22.1 Amps
----------------------	-----------

Optional Accessories

- Connecting rail kit, 800mm PNC 912500
- Portioning shelf, 800mm width PNC 912526
- Portioning shelf, 800mm width PNC 912556
- Folding shelf, 300x800mm PNC 912577
- Folding shelf, 400x800mm PNC 912578
- Fixed side shelf, 200x800mm PNC 912583
- Fixed side shelf, 300x800mm PNC 912584
- Fixed side shelf, 400x800mm PNC 912585
- Connecting rail kit, right PNC 912971
- Connecting rail kit, left PNC 912972
- Endrail kit, flush-fitting, left PNC 913109
- Endrail kit, flush-fitting, right PNC 913110
- Scraper for smooth plates PNC 913119
- Scraper for ribbed plates PNC 913120
- Endrail kit (12mm) for thermaline 80 units, left PNC 913200
- Endrail kit (12mm) for thermaline 80 units, right PNC 913201
- T-connection rail for back to back installations without backsplash PNC 913227
- - NOT TRANSLATED - PNC 913230
- - NOT TRANSLATED - PNC 913246
- - NOT TRANSLATED - PNC 913249
- - NOT TRANSLATED - PNC 913250
- - NOT TRANSLATED - PNC 913253
- - NOT TRANSLATED - PNC 913254
- - NOT TRANSLATED - PNC 913665
- - NOT TRANSLATED - PNC 913676

Recommended Detergents

- *NOT TRANSLATED* PNC 0S2292